

**FIGURE 1**

## Installation Instructions

### 7.25 Twin Disc Clutch Kit for 2003-2005 Dodge SRT4

Thank you for purchasing this quality ACT product. ACT has a long racing heritage supporting countless racers and series champions in many forms of racing. Now you can let ACT's experience and expertise give you the same winning results. The ongoing challenge to win puts a constant demand for improved and higher performance ACT products. Constant challenges and continual improvement are driving forces at ACT. Since ACT products are racing bred and performance oriented some tradeoffs may be expected. If for any reason ACT does not meet your challenge or expectations, let us know so ACT products can continue to improve. Consult our catalog, website, or contact us directly if you have any questions, comments or concerns.

#### **Special Features & Benefits:**

ACT designed your twin disc clutch kit specifically for the SRT4 to dramatically improve torque capacity, durability, safety, and throttle response while keeping the pedal load to a minimum. The weight (16 lbs) and inertia of this clutch kit has been dramatically reduced for faster throttle response. ACT has specifically designed a diaphragm spring that allows the use of the stock release bearing.

Further information: For a complete list of technical bulletins, please visit our website at [www.advancedclutch.com](http://www.advancedclutch.com)

#### **Parts / Kit Components list:**

Kit	Flywheel	Pressure Plate	Disc	Pilot Bearing	Release Bearing	Alignment Tool
T1RR-D02	600605	TD041	SI184026T (Top) SI184026B (Bottom)	N/A	RBDN1	ATCP2
T1RR-D03	600605	TD041	SI184008T (Top) SI184008B (Bottom)	N/A	RBDN1	N/A

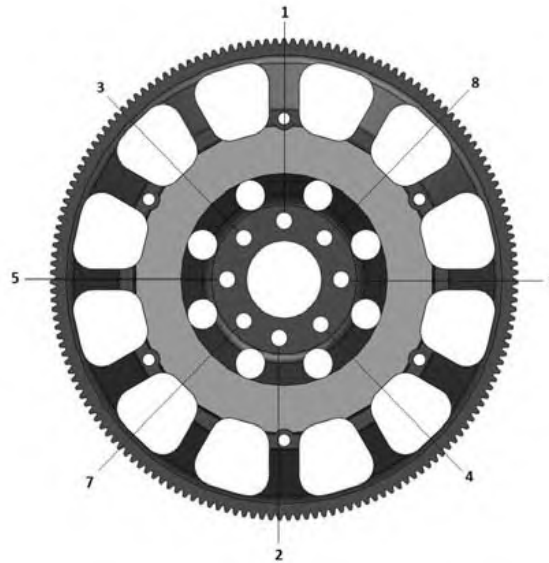
## Step By Step Installation:

*Important note: The ACT twin disc clutch kit bolts directly to the crankshaft using OEM flex plate bolts. New OEM bolts must be utilized as used bolts can be stretched which can compromise their fastening capability. The factory flex plate and flywheel bolt plate are no longer necessary and is not used in any way with an ACT flywheel.*

1. Remove all stock components as recommended by vehicle manufacturer.
2. Inspect the crankshaft to make sure it is free of burrs or dings, remove them with a file if necessary before bolting your new flywheel to it.
3. Inspect the old clutch and operating system to confirm that everything is in proper working condition, including the hydraulic system, bearing free travel and that there is no oil leaks on the rear main and transmission seals. **Inspect releaser guide tube, release fork, pivot ball, and bushings for wear. Any of these problems must be corrected before installing your new clutch.**

**The factory parts listed below are known to wear often and should be considered for replacement any time you are changing a clutch:**

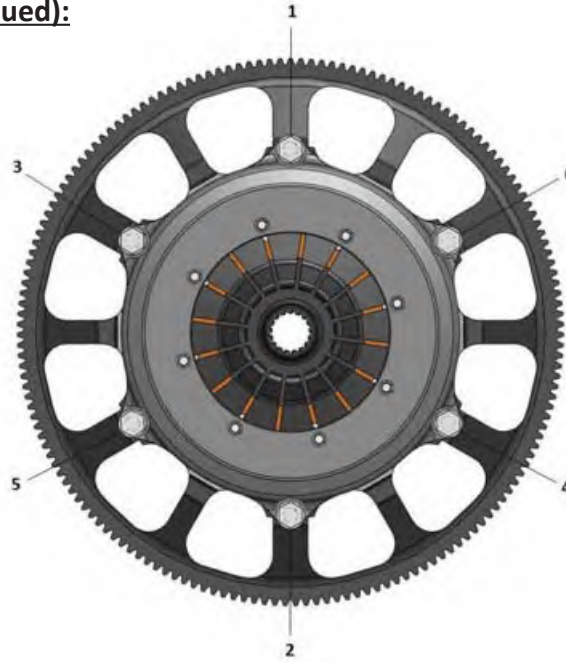
**Clutch Fork (Arm)  
Pivot Ball  
Master Cylinder  
Slave Cylinder**



**FIGURE 2**

4. Clean the flywheel and pressure plate surfaces with solvent or detergent. Clutch slippage or chatter can be caused by a dirty or oily surface. Also clean the flywheel and crankshaft mating surfaces with solvent or detergent. Lightly grease the splines of the discs and slide the new discs on the input shaft to insure fit and smooth travel, and wipe off any excess grease.
5. Use new OEM flex plate bolts to mount the flywheel to the crankshaft. See note above. Apply thread locking compound to the threads of each bolt and tighten to the factory torque specifications using the sequence shown in figure 2 below. Failure to use thread locking compound can result in oil contamination of the clutch which will cause damage to the clutch and/or flywheel as well as other vehicle components and will void all warranties. Do not use air impact tools to tighten ACT clutch components.
6. Lubricate the release bearing guide tube, clutch fork (arm) and pivot ball at all contact points with a small amount of grease (provided with the kit).
7. The ACT twin disc clutch kit bolts to the flywheel in a specific manner (refer to figure 1 on previous page). An alignment tool provided with your clutch kit is necessary to align the discs while installing your ACT twin disc clutch kit. A spacer is included with the alignment tool that presses into the crankshaft before the clutch is installed and will remain in the crankshaft after installation.
8. Install the bottom disc (SI1840XXB) first with the "THIS SIDE UP" towards the cover. The floater will be next to install with the dimples on the ears going away from the flywheel, followed by the top disc (SI1840XXT) with the "THIS SIDE UP" towards the cover as per figure 1. Use the provided alignment tool to center the discs.
9. Install the face with the flat side against the disc; next the stands and cover are bolted on. The use of high temperature thread locking compound is recommended for performance applications.
10. Use the supplied (6) 5/16 flat washers and 5/16x24 bolts to attach the cover and stands to the flywheel and gradually tighten (½ turn at a time) using the sequence shown in figure 3 below to uniformly compress the pressure plate onto the flywheel. Do not use air impact tools to tighten ACT clutch components. Use of such tools may result in uneven torque values and can lead to disengagement issues and/or damage to your clutch. Manually torque the bolts to 30 ft/lbs.

## Step By Step Installation (Continued):



**FIGURE 3**

11. If the throttle body isn't already removed it will need to be in order to reinstall the transmission. Use caution when removing the throttle body to prevent damage to the throttle body itself or the gasket, if the gasket is damaged it must be replaced with a new one.
12. Take note of hoses and sensors as it will be important that all parts are reinstalled properly to ensure that your car will run properly.
13. Make sure all bell housing dowels are in correct position and tighten bell housing bolts. Any misalignment will result in premature clutch failure. Correctly support the transmission during installation, neglecting to do so may cause clutch damage and premature failure.



**FIGURE 4**

## Step By Step Installation (Continued):

14. The clutch needs to be adjusted so that it uses the minimum amount of travel to release the discs; if it is not adjusted correctly the diaphragm can be over-traveled and cause interference or loss of clamp load. With the vehicle on the ground adjust the clutch release system by loosening the bolt (shown in figure 4) which is located at the top of the clutch pedal using an 8mm socket. With the bolt loosened push the clutch pedal down until the bolt bottoms out in the slot, then tighten the bolt. With the car in gear depress the clutch pedal to the floor and try to roll the car. If the car doesn't roll freely loosen the bolt and adjust the pedal up 1/8 of an inch and retighten the bolt. Try again to roll the car with the pedal to the floor, repeat this until the car rolls freely. Now start the car and carefully test the clutch. With the car running, push the pedal to the floor and try to put it in gear. If the car does not pull and the transmission shifts easily you are done. If the car still wants to pull or it does not shift easily the clutch is not completely disengaging. Continue the adjusting process using 1/8 inch increments. Avoid driving habits that would allow excessive slipping or overheating of the clutch.

## Additional Notes or Warnings:

**Attention:** The following instructions are meant as a supplement to the factory clutch installation processes and are not intended as a complete installation instruction.

**Gear noise:** Due to the performance nature of the ACT flywheel and clutch, increased gear noise may occur. A solid center disc is not recommended for street use due to excessive gear noise. The ACT spring center disc will reduce gear noise, but not eliminate it.

**Flywheel resurfacing:** When needed, all ACT flywheels can be resurfaced by a qualified automotive machine shop. Be sure to retain original flywheel step.

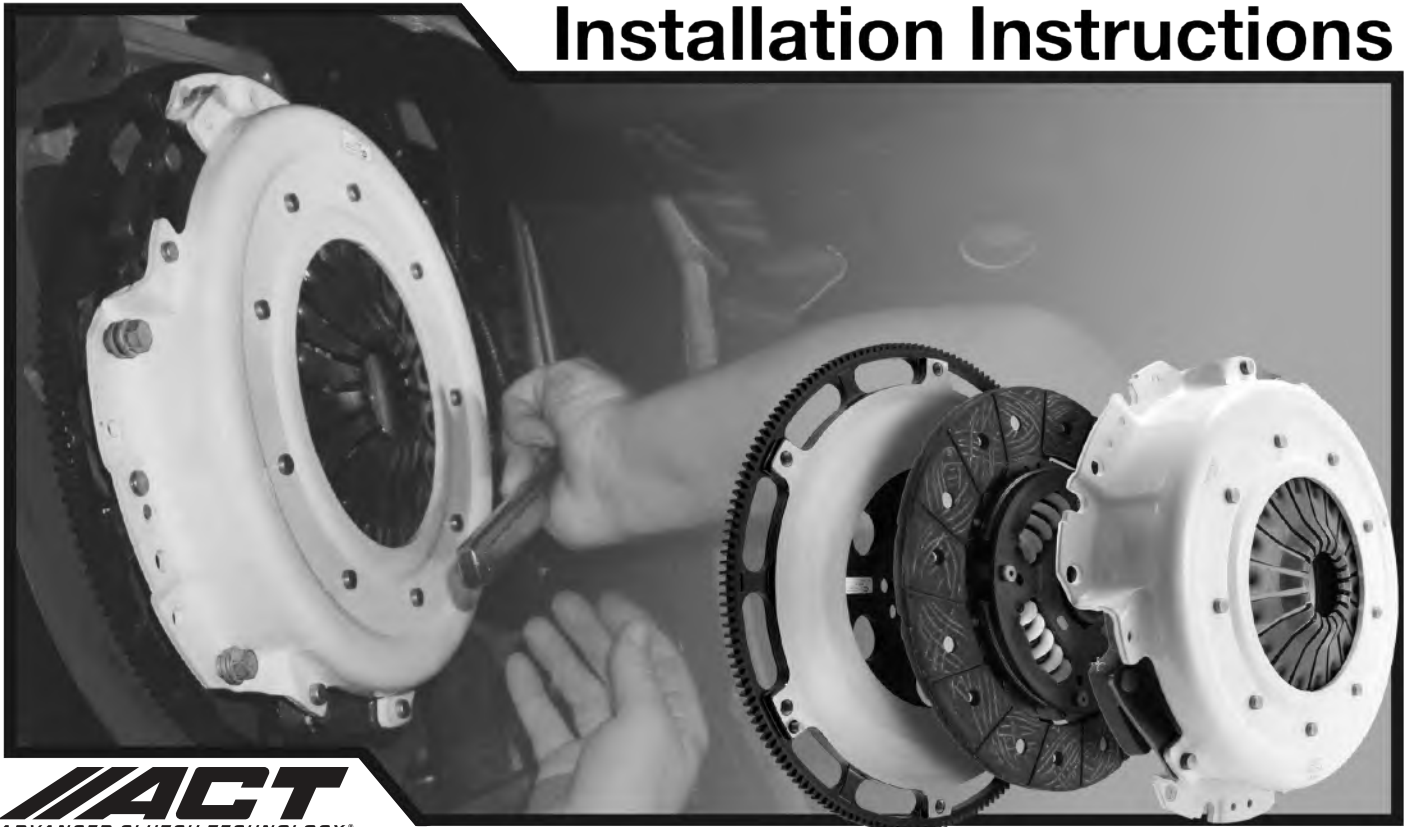
**Replacement parts:** All replacement parts are available separately.

**Adjustment:** All adjustments must be made with the engine off. Failure to follow the adjustment procedure in these instructions will lead to over-traveling the diaphragm spring therefore shortening the life of the clutch as well as leading to a loss of clamp load.



**WARNING** Failure to follow the vehicle manufacturer's installation procedures and specifications as the primary source of information and ACT's installation instructions as a secondary source may lead to serious injury, death or clutch failure. Installation should only be performed by an experienced knowledgeable mechanic.

# Installation Instructions



## ENGLISH INSTRUCTIONS

[www.AdvancedClutch.com](http://www.AdvancedClutch.com)

### **▲WARNING** Warning Symbols

How can you reduce the risk of personal injury to yourself or others and ensure the proper performance of your new clutch? Answers to such questions are contained in comments highlighted by the warning triangle symbol. These comments should be read and observed. Failure to do so may lead to serious injury, death or clutch failure.

**▲WARNING** Failure to follow the vehicle manufacturer's installation procedures and specifications as the primary source of information and ACT's installation instructions as a secondary source may lead to serious injury, death or clutch failure. Installation should only be performed by an experienced, knowledgeable technician.

This is a high performance product. With the additional performance gained from this product, you may experience additional wear or potential failure to the other vehicle components, such as (but not limited to) tire wear, twisted axles or input shaft, broken transmission or differential gears and even pedal assembly or engagement system damage.

**▲WARNING** Failure to properly install and utilize ACT's performance products in conformance with the vehicle manufacturer's and ACT's instructions may cause loss of vehicle control, damage or possible bodily injury or death. Always operate your vehicle within the performance guidelines of the vehicle manufacturer and in conformance with the instructions set forth in the owner's manual. It is your responsibility as the vehicle owner and modifier to ensure that all components are in proper working condition and maintained in conformance with the vehicle manufacturer's instructions to handle the increase in performance.

**▲WARNING** Always ensure components are correct for the proposed application prior to installation. Consult your ACT catalog or supplier, as installing a clutch to the wrong application will void the warranty and may lead to loss of vehicle control, damage or possible bodily injury or death.

The new clutch components may look different from the previous parts produced from another manufacturer. Pressure plate must fit on locating dowels, where applicable, for proper centering. Rotating pressure plate may be necessary to line up offset dowels. Slide disc on transmission shaft to ensure proper fit onto input shaft. Verify correct fit of release bearing and pilot bearing (if applicable). Any modifications to the pressure plate or disc will void the SFI Certification and warranty. If there are any further questions, call our tech line at (661) 940-7555 or email [tech@advancedclutch.com](mailto:tech@advancedclutch.com).

Prior to installation, a thorough inspection of the existing clutch and operating system must be performed. If you are unable to determine the condition of the old clutch and operating system or are unable to confirm the absence of any of the issues discuss, seek professional advice and inspection prior to installing a new clutch. Failure to do so may void the warranty and may lead to possible damage or bodily injury or death.

Recognizing that every vehicle and clutch design is different, the inspection of the existing clutch and operating system will vary and should include, but is not limited to, the following:

1. Check hydraulic system, bearing free travel, clutch cable, oil leaks, rear main seal and transmission seal. Inspect releaser guide tube, release fork, pivot stud and cross-shaft bushings for wear. Inspect the flywheel for cracks. Any of these potential issues must be corrected before installing a new ACT clutch.
2. Inspect friction face of the flywheel to ensure it is in working condition. If abnormal wear, or deformation by heat is found, the flywheel must be replaced or resurfaced to avoid malfunction. However, flywheel

resurfacing should only be performed by a professional. Use proper step height when resurfacing flywheel as this is critical to the function of the clutch. Pressure plate locating dowels must be properly installed.

**▲WARNING** To avoid the potential for catastrophic failure, replace flywheel if any cracks are present.

3. Clean the flywheel and pressure plate surfaces with solvent or detergent. Clutch slippage or judder can be caused by a dirty or oily surface.

### PRESSURE PLATE INSTALLATION INSTRUCTIONS

Once the inspection is complete and you have determined that there are no issues or problems with the existing clutch or operating system, installation of the new clutch can be accomplished as follows (note: every vehicle and clutch design is different and may vary):

1. Lightly grease the splines of the disc and slide the new disc on the input shaft to ensure fit and smooth travel, and wipe off any excess grease. Replace pilot bearing/bushing, and apply a light coat of motor oil to bushings, or high temperature bearing grease to needle-type bearings.

2. Use an alignment tool to center the disc against the flywheel. Manually tighten pressure plate bolts using a star or diagonal pattern. ACT recommends using metric grade 10.9 (SAE grade 8) or stronger fasteners. The use of high temperature thread-locking compound is recommended for performance applications. Tightening torque specifications will vary with bolt size and grade. The following torque specifications are recommended by ACT for new pressure plate bolts with the corresponding sizes using metric grade 10.9 or SAE grade 8 bolts:

M7 x 1.0	15 ft-lbs / 20 Nm	5/16"-18	29 ft-lbs / 39 Nm
M8 x 1.0	25 ft-lbs / 34 Nm	5/16"-24	29 ft-lbs / 39 Nm
M8 x 1.25	26 ft-lbs / 35 Nm	3/8"-16	45 ft-lbs / 61 Nm
M10 x 1.25	50 ft-lbs / 68 Nm	3/8"-24	48 ft-lbs / 65 Nm
M10 x 1.5	50 ft-lbs / 68 Nm		

If you choose factory standard bolts and are unsure of the grade of fastener, use the factory recommended torque values.

3. Lightly lubricate the release bearing inside diameter and the mating surfaces between the fork and releaser. Lubricate the clutch linkage as recommended by the vehicle manufacturer.

4. Make sure all bellhousing dowels are in correct position and tighten bellhousing bolts.

Any misalignment will result in premature clutch failure. Correctly support the transmission during installation. Neglecting to do so may cause clutch damage and premature failure.

5. Adjust the clutch release system by following the vehicle manufacturer's procedures and specifications. Recommended break-in for ACT Street discs is 300-500 miles of mild street driving. Avoid driving habits that would allow excessive slipping or overheating of the clutch.

**▲WARNING** Failure to properly break-in the ACT Street discs may result in clutch damage and premature failure.

**FLYWHEEL INSTALLATION INSTRUCTIONS**

1. Inspect the flywheel packaging and marked part number to be sure the item is the correct flywheel for your application. Verify that all dowels are in place and that the SFI Certification sticker and serial number are on the part.

Any modifications to the flywheel will void the SFI Certification and warranty.

2. If required, install a new pilot bearing into the flywheel. This must be pressed in by applying force to the outer bearing (race only).

3. Line up the flywheel to the hole pattern and install new factory flywheel bolts using thread-locking compound for extra assurance. For some applications, bolts are provided. Always consult the factory service manual for proper torque specifications.

For racing applications, consider using the highest strength fasteners available. Consult your bolt supplier or expert engine builder for recommended torque specifications.

4. Replace clutch components using ACT pressure plate installation instructions.

**TECHNICAL INFORMATION**

**1. Racing**

ACT certifies many clutches and flywheels to SFI specifications for racing purposes. Check product packaging and product labels to determine if a product is SFI-certified. For your safety, always operate within recommended RPM limits set by the automobile manufacturer, do not overheat the clutch and conform to all rules set by the sanctioning organization. For high RPM applications, a bellhousing scatter shield should always be used to minimize chances of personal injury.

Racing is inherently dangerous. ACT accepts no responsibility, of any kind, for parts used for racing applications. ACT only certifies that certain parts conform to SFI specifications.

**2. Release Point Adjustment — Hydraulic System**

On some applications, the clutch pedal engagement point may be closer to the floor than with the stock clutch. For many vehicles, the engagement point can be changed by adjusting the master cylinder push rod. This adjustment is made by screwing the push rod further into the master cylinder to allow for earlier actuation. Never preload the master cylinder. Pedal travel may also be increased by adjusting the pedal stop, where equipped. Most vehicle service manuals include instructions and adjustment specifications. Aftermarket clutch pedals, floor mats or carpeting may hinder full pedal travel, affecting proper clutch function.

**3. Flywheel Resurfacing**

Flywheel resurfacing must be performed by a competent professional using proper machinery.

A smooth and flat flywheel surface is critical to proper clutch operation and longevity. It is extremely important to maintain the proper step in the flywheel. Rebalancing the flywheel, following resurfacing, is also recommended. Maintaining balance of the flywheel will insure that the engine will stay smooth and can reach high RPM without damage to the engine.

**4. Frequently Asked Questions (FAQs) and Technical Bulletins:**

For an updated list of FAQs and Technical Bulletins, please visit our website at [www.advancedclutch.com](http://www.advancedclutch.com).

**5. Disc Thickness and Allowable Wear**

The majority of our discs measure 8mm thick when compressed. The allowable wear for most discs is approximately 2mm of material (compressed disc thickness of 6mm).

**6. SFI Re-certification**

If inspection and recertification to SFI specifications is required for the clutch or flywheel please call for quotation and RGA (Returned Goods Authorization) number prior to sending the parts. If there are any further questions call our tech line at (661) 940-7555 or email [tech@advancedclutch.com](mailto:tech@advancedclutch.com).

**LIMITED RETAIL WARRANTY**

ACT warrants all automotive products to be free of defects in materials and workmanship for normal use and service for a period of one (1) year from retail purchase. Written notice must be immediately given to ACT within the warranty period. We require a copy of the purchase receipt showing the unit was purchased from an Authorized Dealer to verify the product is under warranty. Products purchased used do not carry a warranty. This warranty is to the original purchaser and is non-transferable. All non-warranty items are subject to a \$50 inspection bench test fee.

ACT reserves the right to examine any part returned for warranty claim to determine, to ACT's satisfaction, whether the material or workmanship of the part does not conform to this limited warranty. ACT's obligation under this warranty shall be limited to repairing, replacing, or crediting, at its option, any part which is deemed covered by ACT. No labor, lift or storage charges will be reimbursed for any reason. Damage to ACT's parts resulting from misuse, improper use, or abuse shall void this limited warranty. Failure to follow ACT's installation instructions and the vehicle manufacturer's installation procedures and specifications shall void this limited warranty.

ACT undertakes no responsibility for the quality of the goods except as otherwise provided in this contract. ACT assumes no responsibility that the goods will be fit for any particular purpose for which you may be buying these goods, except as otherwise provided in the contract. ACT shall not be liable for any damage or injury to persons or property resulting from improper installation or misuse of any part subject to this warranty.

**If there are any concerns or questions regarding the proper application or installation of an ACT product, call our technical line at (661) 940-7555 or email [tech@advancedclutch.com](mailto:tech@advancedclutch.com).**

**INSTRUCTIONS FRANÇAISES**

**▲ AVERTISSEMENT Symboles d'avertissement**

Comment pouvez-vous réduire le risque de blessure pour vous-même ou d'autres personnes et garantir le bon fonctionnement de votre nouvel embrayage? Les réponses à ces questions sont contenues dans les commentaires mis en évidence par le symbole du triangle d'avertissement. Ces commentaires doivent être lus et respectés. Le défaut de le faire peut entraîner des blessures graves, la mort ou la défaillance de l'embrayage.

**▲ AVERTISSEMENT** Le non-respect des spécifications et des procédures d'installation du fabricant du véhicule en tant que principale source d'informations et les instructions d'installation d'ACT comme source secondaire peut conduire à des blessures graves, la mort ou la défaillance de l'embrayage. L'installation doit être effectuée uniquement par un technicien qualifié et expérimenté.

Ceci est un produit de haute performance. Avec les performances supplémentaires obtenues grâce à ce produit, une usure supplémentaire ou une défaillance potentielle des autres composants du véhicule est possible, notamment l'usure des pneus, la torsion des essieux ou de l'arbre d'entrée, la rupture de la transmission ou des pignons du différentiel et même un endommagement du pédalier ou du système d'engagement.

**▲ AVERTISSEMENT** Le fait de ne pas installer et utiliser correctement les produits de performance ACT en conformité avec les instructions du fabricant du véhicule et d'ACT peut entraîner une perte de contrôle du véhicule, des dommages ou des risques de blessures ou de décès. Faites toujours fonctionner votre véhicule dans le respect des consignes de performance du fabricant du véhicule et en conformité avec les instructions énoncées dans le manuel du propriétaire. Il est de votre responsabilité en tant que propriétaire et modificateur du véhicule de veiller à ce que tous les composants sont en bon état de fonctionnement et maintenu en conformité avec les instructions du fabricant du véhicule pour pouvoir supporter l'augmentation des performances.

**▲ AVERTISSEMENT** Il faut toujours vous assurer que les composants sont corrects pour l'application proposée avant l'installation. Consultez votre catalogue ou fournisseur ACT, étant donné que l'installation d'un embrayage pour une mauvaise application annulera la garantie et peut entraîner la perte de contrôle du véhicule, des dommages ou des risques de blessures ou de décès.

Les nouveaux composants de l'embrayage peuvent être différents des pièces précédentes fabriquées par un autre constructeur. La plaque de pression doit s'adapter aux goujons de positionnement, le cas échéant, pour obtenir un bon centrage. Il peut être nécessaire de tourner la plaque de pression pour aligner les goujons. Faites glisser le disque sur l'arbre de transmission pour garantir le bon ajustement sur l'arbre d'entrée. Vérifiez le bon ajustement de la butée d'embrayage et du palier pilote (si applicable). Toute modification de la plaque de pression ou du disque annule la certification SFI et la garantie. S'il y a d'autres questions, appelez notre ligne technique au (661) 940-7555 ou écrivez à [tech@advancedclutch.com](mailto:tech@advancedclutch.com).

Avant de procéder à l'installation, une inspection approfondie de l'embrayage existant et du système de fonctionnement doit être effectuée. Si vous ne parvenez pas à déterminer l'état de l'ancien embrayage et du système de fonctionnement ou que vous êtes incapable de confirmer l'absence de l'un des problèmes

évoqués, demandez l'avis d'un professionnel et une inspection avant l'installation d'un nouvel embrayage. Le non-respect de cette consigne risque d'entraîner l'annulation de la garantie et peut conduire à d'éventuels dommages, des blessures corporelles ou la mort.

Étant donné que chaque véhicule et conception d'embrayage est différent, l'inspection de l'embrayage existant et du système de fonctionnement variera et devrait inclure, sans s'y limiter, les éléments suivants:

1. Contrôlez le circuit hydraulique, le libre déplacement des roulements, le câble d'embrayage, les fuites d'huile, le joint principal arrière et le joint de transmission. Inspectez le tube de guidage du mécanisme de débrayage, la fourchette d'embrayage, l'axe de pivotement et les bagues de l'arbre transversal pour y déceler tout signe d'usure. Inspectez le volant-moteur pour détecter la présence de fissures. Ces problèmes potentiels doivent être corrigés avant l'installation d'un nouvel embrayage ACT.

2. Inspectez la face de friction du volant-moteur pour vous assurer qu'il est en bon état de fonctionnement. S'il y a une usure anormale ou une déformation par la chaleur, le volant-moteur doit être remplacé ou rectifié afin d'éviter tout dysfonctionnement. Toutefois, la rectification du volant-moteur doit être effectuée uniquement par un professionnel. Utilisez une bonne hauteur de palier lors de la rectification du volant-moteur, ceci est essentiel pour le fonctionnement de l'embrayage. Les goujons de positionnement de la plaque de pression doivent être correctement installés.

**▲ AVERTISSEMENT** Pour éviter tout risque de défaillance majeure, remplacez le volant-moteur si des fissures sont présentes.

3. Nettoyez les surfaces du volant-moteur et de la plaque de pression avec un solvant ou un détergent. Un patinage ou un broutement de l'embrayage peut être causé par une surface sale ou huileuse.

**INSTRUCTIONS D'INSTALLATION DE LA PLAQUE DE PRESSION**

Une fois que l'inspection est terminée et que vous avez déterminé qu'il n'y a pas de problème avec l'embrayage existant ou le système de fonctionnement, l'installation du nouvel embrayage peut être effectuée comme suit (remarque: chaque conception de véhicule et d'embrayage est différente et peut varier):

1. Graissez légèrement les cannelures du disque et faites glisser le nouveau disque sur l'arbre d'entrée pour assurer un déplacement ajusté et en douceur, et essuyez l'excédent de graisse. Remplacez le palier/la bague pilote et appliquez une légère couche d'huile moteur sur les bagues, ou une graisse à roulement haute température sur les roulements à aiguille.

2. Utilisez un outil d'alignement pour centrer le disque contre le volant-moteur. Serrez manuellement les boulons de la plaque de pression en utilisant un motif en étoile ou en diagonale. ACT recommande l'utilisation en utilisant des fixations de classe métrique 10.9 (SAE classe 8) ou supérieure. L'utilisation d'un

frein-filet haute température est recommandée pour les applications de performances. Les spécifications de couple de serrage varient en fonction de la taille du boulon et de la classe. Les spécifications de couple suivantes sont recommandées par ACT pour les boulons d'une nouvelle plaque de pression avec les tailles correspondantes utilisant la classe métrique 10.9 ou des boulons SAE de classe 8:

M7 x 1.0	15 pied-livre / 20 Nm	5/16"-18	29 pied-livre / 39 Nm
M8 x 1.0	25 pied-livre / 34 Nm	5/16"-24	29 pied-livre / 39 Nm
M8 x 1.25	26 pied-livre / 35 Nm	3/8"-16	45 pied-livre / 61 Nm
M10 x 1.25	50 pied-livre / 68 Nm	3/8"-24	48 pied-livre / 65 Nm
M10 x 1.5	50 pied-livre / 68 Nm		

Si vous choisissez des boulons standard d'usine et que vous ne connaissez pas la classe de la fixation, utilisez les valeurs de couple recommandées d'usine.

3. Lubrifiez légèrement la butée d'embrayage à l'intérieur du roulement et les surfaces de contact entre la fourchette et le mécanisme de débrayage. Lubrifiez la tringlerie de l'embrayage comme recommandé par le constructeur du véhicule.

4. Assurez-vous que tous les goujons du carter sont dans la position correcte et serrez les boulons du carter.

Tout mauvais alignement aura pour résultat la défaillance prématurée de l'embrayage. Soutenez correctement la transmission lors de l'installation. Négliger de le faire pourrait endommager l'embrayage et entraîner sa défaillance prématurée.

5. Réglez le circuit de débrayage en suivant les procédures et les spécifications du fabricant du véhicule. Le rodage recommandé pour les disques Street ACT est de 480 à 800 km de conduite souple. Évitez de conduire d'une manière telle qu'il y aurait un patinage excessif ou une surchauffe de l'embrayage.

Ne pas roder correctement les disques Street ACT peut entraîner l'endommagement de l'embrayage et sa défaillance prématurée.

## INSTRUCTIONS D'INSTALLATION DU VOLANT-MOTEUR

1. Inspectez l'emballage du volant-moteur et le numéro de pièce pour vous assurer que l'élément est le bon pour votre application. Vérifiez que tous les goujons sont en place et que l'autocollant de certification SFI ainsi que le numéro de série figurent sur la pièce.

Toute modification du volant-moteur annule la certification SFI et la garantie.

2. Si nécessaire, installez un nouveau palier pilote dans le volant-moteur. Il doit être appuyé par l'application d'une force sur le roulement extérieur (course uniquement).

3. Alignez le volant-moteur avec la trame perforée et installez les boulons du nouveau volant-moteur en utilisant un frein-filet pour plus d'assurance. Pour certaines applications, des boulons sont fournis. Consultez toujours le manuel d'entretien pour connaître les spécifications de couple.

Pour les applications de course, envisagez d'utiliser des fixations présentant la plus grande force. Consultez votre fournisseur de boulons ou votre préparateur moteur pour connaître les spécifications de couple recommandées.

4. Remplacez les composants de l'embrayage à l'aide des instructions d'installation de la plaque de pression ACT.

## INFOS TECHNIQUES

### 1. Course

ACT certifie de nombreux embrayages et volants-moteurs selon les spécifications SFI à des fins de compétition. Vérifiez l'emballage du produit et ses étiquettes pour déterminer s'il est certifié SFI. Pour votre sécurité, faites toujours fonctionner le moteur dans les limites de TR/MIN fixées par le constructeur automobile. Ne surchauffez pas l'embrayage et conformez-vous à toutes les règles définies par l'organisateur. Pour les applications nécessitant un régime moteur élevé, une protection contre le carter doit être toujours utilisée pour minimiser les risques de blessures.

Les compétitions sont intrinsèquement dangereuses. ACT n'accepte aucune responsabilité, de quelque nature que ce soit, pour les pièces utilisées lors d'applications de compétition. ACT certifie uniquement que

## INSTRUCCIONES ESPAÑOLAS

### ⚠ ADVERTENCIA Símbolos de advertencia

¿Cómo puede reducir el riesgo de ocasionar lesiones personales a otras personas o a sí mismo y asegurar el desempeño adecuado de su nuevo embrague? Las respuestas a estos interrogantes están contenidas en las notas resaltadas con el signo triangular de advertencia. Estas notas deben leerse y tenerse en cuenta. No hacerlo puede tener como consecuencia heridas graves, muerte o avería del embrague.

⚠ ADVERTENCIA No seguir los procedimientos de instalación o las especificaciones del fabricante del vehículo como fuente principal de información, y las instrucciones de instalación de ACT como fuente secundaria, puede ocasionar lesiones graves, muerte o avería del embrague. La instalación solo debe ser realizada por un técnico con los conocimientos y la experiencia adecuada.

Este es un producto de alto desempeño. Con el desempeño adicional que proporciona este producto, otros componentes del vehículo pueden sufrir desgaste adicional o posiblemente averiarse. Entre otros, pero sin limitación, desgaste de las llantas, ejes o eje de entrada doblados, ruptura de la transmisión o de los engranajes del diferencial, e incluso daños a los pedales o al sistema de accionamiento.

⚠ ADVERTENCIA No instalar correctamente o no utilizar los productos de alto desempeño ACT de conformidad con las instrucciones del fabricante del vehículo o de ACT, puede causar pérdida de control del vehículo y posiblemente lesiones personales o muerte. Siempre opere su vehículo conforme a los lineamientos de desempeño del fabricante, y siguiendo las instrucciones establecidas en el manual del propietario. Como dueño y modificador del vehículo, es su responsabilidad asegurarse de que todos los componentes funcionen adecuadamente y que se le brinde mantenimiento de acuerdo con las

ciertas piezas son conformes aux spécifications SFI.

### 2. Réglage du point de débrayage — Circuit hydraulique

Sur certaines applications, l'engagement de la pédale d'embrayage peut être plus près du sol qu'avec un embrayage standard. Pour de nombreux véhicules, le point d'engagement peut être modifié par le réglage de la tige-poussoir du maître-cylindre. Ce réglage est effectué en vissant la tige-poussoir plus loin dans le maître-cylindre pour permettre un effet plus précoce. Ne préchargez jamais le maître-cylindre. La course de la pédale peut aussi être accrue en réglant la butée de pédale, le cas échéant. La plupart des manuels d'entretien de véhicules incluent des instructions et des spécifications de réglage. Les pédales d'embrayage, tapis ou moquettes de fournisseurs indépendants peuvent entraver le déplacement complet de la pédale, affectant le bon fonctionnement de l'embrayage.

### 3. Rectification du volant-moteur

La rectification du volant-moteur doit être effectuée par un professionnel compétent utilisant les bons équipements.

Une surface lisse et plate est nécessaire pour le volant-moteur afin d'assurer le bon fonctionnement de l'embrayage et sa longévité. Il est extrêmement important de maintenir un palier approprié dans le volant-moteur. Le rééquilibrage du volant-moteur, après rectification, est également recommandé. Le fait de maintenir l'équilibre du volant-moteur permettra de s'assurer que le moteur fonctionne bien et peut atteindre des TR/MIN élevés sans l'endommager.

### 4. Foire Aux Questions (FAQ) et bulletins techniques:

Pour obtenir une liste mise à jour des FAQ et bulletins techniques, veuillez visiter notre site à [www.advancedclutch.com](http://www.advancedclutch.com).

### 5. Épaisseur du disque et usure admissible

La majorité de nos disques mesurent 8 mm d'épaisseur lorsqu'ils sont comprimés. L'usure admissible pour la plupart des disques est d'environ 2 mm de matériau (épaisseur du disque comprimé de 6 mm).

### 6. Recertification SFI

Si l'inspection et la recertification aux spécifications SFI sont requises pour l'embrayage ou le volant-moteur, veuillez appeler pour obtenir un devis et un numéro RGA (autorisation de retour de la marchandise) avant d'envoyer les pièces. S'il y a d'autres questions, appelez notre ligne technique au (661) 940-7555 ou écrivez à [tech@advancedclutch.com](mailto:tech@advancedclutch.com).

## GARANTIE LIMITÉE

ACT garantit que tous les produits automobiles sont exempts de vices de matériaux et de fabrication pour une utilisation et un entretien normaux pour une période d'un (1) an à partir de l'achat au détail. Un avis écrit doit être transmis immédiatement à ACT, au cours de la période de garantie. Nous avons besoin d'une copie du reçu d'achat montrant que l'unité a été achetée auprès d'un concessionnaire agréé pour vérifier que le produit est sous garantie. Les produits achetés d'occasion ne sont pas assortis d'une garantie. Cette garantie bénéficie à l'acheteur d'origine et est non transférable. Tous les éléments non couverts par la garantie sont soumis à des frais de test et d'inspection de 50 \$.

ACT se réserve le droit d'examiner toute pièce retournée pour la réclamation de garantie pour déterminer, à la satisfaction d'ACT, si le matériau ou la fabrication de la pièce n'est pas conforme à cette garantie limitée. L'obligation d'ACT en vertu de la présente garantie est limitée à la réparation, le remplacement ou le crédit, à son choix, de toute pièce qui est considérée comme couverte par ACT. Aucuns frais de main-d'œuvre, de levage ou de stockage ne seront remboursés, en aucun cas. Les dommages des pièces ACT résultant d'une mauvaise utilisation ou d'une utilisation abusive entraîneront l'annulation de cette garantie limitée. Le non-respect des instructions d'installation d'ACT et des procédures d'installation et des spécifications du fabricant du véhicule entraînera l'annulation de cette garantie limitée.

ACT n'admet aucune responsabilité quant à la qualité des produits, sauf clause contraire dans le présent contrat. ACT n'assume aucune responsabilité que les produits seront adaptés à un usage particulier pour lequel vous achetez peut-être ces biens, sauf dans la mesure prévue dans le contrat. ACT ne pourra être tenu responsable de tout dommage ou préjudice aux personnes ou aux biens résultant d'une mauvaise installation ou d'une utilisation abusive de toute pièce couverte par cette garantie.

S'il y a des inquiétudes ou des questions relatives à l'application ou l'installation correcte d'un produit ACT, appelez notre service d'assistance technique au (661) 940-7555 ou écrivez à [tech@advancedclutch.com](mailto:tech@advancedclutch.com).

instrucciones del fabricante, de forma que pueda manejar el incremento de desempeño.

⚠ ADVERTENCIA Siempre asegúrese que los componentes sean adecuados para la aplicación propuesta antes de la instalación. Consulte a su proveedor o revise el catálogo ACT, debido a que instalar un embrague para un uso inapropiado, puede anular la garantía y ocasionar pérdida de control de vehículos, daños y posiblemente lesiones personales o muerte.

Los componentes nuevos del embrague pueden lucir diferentes a las partes producidas anteriormente por otro fabricante. El plato de presión debe encajar en las espigas de alineación, si aplica, para que centre adecuadamente. Puede ser necesario rotar el plato de presión para alinearlo con las espigas de referencia. Deslice el disco en el eje de transmisión para asegurar que encaje correctamente en el eje de entrada. Compruebe el encaje correcto del rodamiento de liberación y el rodamiento piloto (si aplica). Cualquier modificación al plato de presión o al disco anula la certificación SFI y la garantía. Si tiene preguntas adicionales, llame a nuestra línea de asistencia técnica al (661) 940-7555 o envíe un correo electrónico a [tech@advancedclutch.com](mailto:tech@advancedclutch.com).

Antes de la instalación debe realizarse una inspección completa del embrague existente y el sistema de accionamiento. Si no puede evaluar la condición del embrague existente o el estado del sistema de accionamiento, o no puede determinar ausencia completa de problemas, busque ayuda y revisión profesional antes de instalar el nuevo embrague. No hacerlo puede anular la garantía y posiblemente causar daños, lesiones personales o muerte.

Tenga en cuenta que cada vehículo y embrague es diferente, y la inspección del sistema de accionamiento y del embrague existente serán diferentes en cada caso, y deberá incluir, pero sin limitación, lo siguiente:

1. Compruebe el sistema hidráulico, juego del cojinete, cable del embrague, sello trasero principal y el sello de la transmisión. Inspeccione el grado de desgaste del tubo guía del liberador, la horquilla de liberación, el pasador del pivote y los bujes del perno de cruce. Compruebe que el volante no tenga grietas. Cualquiera de estos posibles problemas debe ser corregido antes de instalar el nuevo embrague ACT.
2. Inspeccione el lado de fricción en el volante para asegurarse que funciona correctamente. Si tiene desgaste anormal o malformación por calor, se debe reemplazar o rectificar el volante para evitar problemas de funcionamiento. Sin embargo, la rectificación del volante debe ser realizada únicamente por un profesional. Usar la altura de tolerancia adecuada al rectificar el volante es crítico para el funcionamiento del embrague. Las espigas de coincidencia del plato de presión deben instalarse adecuadamente.

**⚠ ADVERTENCIA** Para evitar la posibilidad de fallos catastróficos, reemplace el volante si tiene grietas.

3. Limpie el volante y las superficies del plato de presión con detergente o un solvente. Una superficie sucia o grasosa puede causar ruidos o que el embrague resbale.

## INSTRUCCIONES PARA LA INSTALACIÓN DEL PLATO DE PRESIÓN

Una vez que se ha terminado la inspección y que ha determinado que no hay problemas con el embrague existente o el sistema de accionamiento, puede llevarse a cabo la instalación del nuevo embrague de la siguiente manera (tenga en cuenta: el diseño de cada vehículo y embrague es diferente y pueden existir variaciones):

1. Engrase ligeramente las estrías del disco y deslice el nuevo disco en el eje de entrada para asegurarse que tenga un recorrido ajustado y suave, luego, limpie el exceso de grasa. Reemplace el rodamiento o buje piloto y aplique una ligera capa de aceite de motor a los bujes, o grasa de alta temperatura para rodamientos a los rodamientos de agujas.
2. Use la herramienta de alineación para centrar el disco contra el volante. Apriete a mano las tuercas del plato de presión en un patrón diagonal o en estrella. ACT recomienda usar pernos grado métrico 10.9 (SAE grado 8) o más fuertes. Se recomienda el uso de compuesto bloqueador de roscas para alta temperatura para el uso en aplicaciones de alto desempeño. Las especificaciones del par de apriete pueden variar de acuerdo con el tamaño del perno y su grado. Las siguientes especificaciones son las recomendadas por ACT para par de apriete de pernos de nuevos platos de presión con los tamaños correspondientes, pernos grado métrico 10.9 o SAE grado 8:

M7 x 1.0 . . . . .	15 libras pie / 20 Nm	5/16"-18 . . . . .	29 libras pie / 39 Nm
M8 x 1.0 . . . . .	25 libras pie / 34 Nm	5/16"-24 . . . . .	29 libras pie / 39 Nm
M8 x 1.25 . . . . .	26 libras pie / 35 Nm	3/8"-16 . . . . .	45 libras pie/ 61 Nm
M10 x 1.25 . . . . .	50 libras pie / 68 Nm	3/8"-24 . . . . .	48 libras pie / 65 Nm
M10 x 1.5 . . . . .	50 libras pie / 68 Nm		

Si usted selecciona pernos estándar de fábrica o no está seguro acerca del grado de los pernos, use los valores de par de apriete recomendados por el fabricante.

3. Lubrique ligeramente el diámetro interior del rodamiento de liberación y las superficies de unión entre la horquilla y el liberador. Lubrique las varillas de embrague de acuerdo a lo recomendado por el fabricante del vehículo.
4. Asegúrese que todos los pines de la carcasa estén en la posición correcta y apriete los pernos de la carcasa.

Cualquier falta de alineación puede resultar en avería prematura del embrague. Apoye correctamente la transmisión durante la instalación. No hacerlo puede causar daño al embrague y averías prematuras.

5. Ajuste del sistema de liberación del embrague de acuerdo con las especificaciones y procedimientos del fabricante del vehículo. El tiempo de asentamiento de los discos ACT Street es entre 300 y 500 millas de conducción moderada en calles. Evite los hábitos de conducción que puedan causar sobrecalentamiento o resbalar el embrague.

Omitir el asentamiento correcto de los discos ACT Street puede resultar en daño del embrague y avería prematura.

## INSTRUCCIONES DE INSTALACIÓN DEL VOLANTE

1. Inspeccione el empaque del volante y el número de parte para asegurarse que el producto es el correcto para la aplicación. Verifique que todos los alineadores estén en su sitio y que la etiqueta de certificación SFI y el número de serie estén en la parte.

Cualquier modificación al volante anula la certificación SFI y la garantía.

2. Si se requiere, instale un nuevo rodamiento piloto en el volante. Se debe usar una prensa, aplicando fuerza al rodamiento exterior (solo para carreras).
3. Alinee el volante con el patrón de agujeros e instale nuevos pernos de volante originales de fábrica, usando bloqueador de roscas para mayor seguridad. Para algunas aplicaciones, se suministran los pernos. Siempre consulte el manual de servicio del fabricante para conocer las especificaciones adecuadas del par de apriete.

Para aplicaciones de carrera, considere usar pernos del mayor grado posible. Consulte a su proveedor de pernos o a un constructor de motores experto para las recomendaciones sobre el par de apriete.

4. Reemplace los componentes del embrague usando las instrucciones de instalación para platos de presión ACT.

## INFORMACIÓN TÉCNICA

### 1. Carreras

ACT certifica muchos embragues y volantes de acuerdo a especificaciones SFI para uso en carreras. Compruebe el empaque y las etiquetas del producto para determinar si el producto está certificado SFI. Por su seguridad, opere siempre dentro de los límites de RPM establecidos por el fabricante del vehículo, no sobrecaliente el embrague y siga todas las reglas establecidas por la organización de control. Para aplicaciones de altas RPM, siempre debe usarse un protector para la carcasa para minimizar la probabilidad de lesiones personales.

Correr es inherentemente peligroso. ACT no admite responsabilidad, de ningún tipo, por partes usadas en aplicaciones de carreras. ACT sólo certifica que ciertas partes cumplen con las especificaciones SFI.

### 2. Ajuste del punto de liberación con sistema hidráulico

En algunas aplicaciones, el punto de accionamiento del pedal del embrague puede quedar más cercano al piso que con el embrague de fábrica. En muchos vehículos, el punto de accionamiento puede ser cambiado ajustando el vástago del cilindro maestro. Este ajuste se puede realizar atornillando más el vástago en el cilindro maestro para permitir accionamiento más temprano. Nunca precargue el cilindro maestro. El recorrido del pedal también puede incrementarse ajustando el tope del pedal, cuando existe. La mayoría de los manuales de servicio de los vehículos incluyen instrucciones y especificaciones para su ajuste. Los pedales para embrague, tapetes o tapicería no original, pueden evitar el recorrido completo del pedal, afectando la operación correcta del embrague.

### 3. Rectificación del volante

La rectificación del volante debe ser realizada por un profesional capacitado, usando maquinaria apropiada.

La superficie plana y lisa del volante es crítica para el adecuado funcionamiento y duración del embrague. Es extremadamente importante conservar la tolerancia adecuada del volante. Se recomienda rebalancear el volante después de la rectificación. Conservar el balance del volante asegura que el motor funcione suavemente y pueda alcanzar mayores RPM sin dañarse.

### 4. Preguntas y respuestas frecuentes, y boletines técnicos:

Para ver una lista actualizada de las preguntas y respuestas frecuentes y los boletines técnicos, por favor visite nuestro sitio web en [www.advancedclutch.com](http://www.advancedclutch.com).

### 5. Grosor del disco y desgaste permitido

La mayoría de nuestros discos tienen un grosor de 8 mm cuando están comprimidos. El desgaste máximo permitido para la mayoría de los discos es 2 mm de material (grosor del disco comprimido de 8 mm).

### 6. Recertificación SFI

Si necesita inspección y recertificación del embrague o volante conforme a las especificaciones SFI, por favor llame para obtener una cotización y número RGA (Autorización para devolver bienes) antes de enviar las partes. Si tiene preguntas adicionales, llame a nuestra línea de asistencia técnica al (661) 940-7555 o envíe un correo electrónico a [tech@advancedclutch.com](mailto:tech@advancedclutch.com).

## GARANTÍA LIMITADA PARA EL COMPRADOR ORIGINAL

ACT garantiza por defectos en los materiales y mano de obra, bajo uso y mantenimiento normal, todos los productos para automotores por un periodo de un (1) año a partir de la fecha de compra al minorista. Debe notificarse por escrito de forma inmediata a ACT dentro del periodo de la garantía. Es requisito presentar copia del recibo de compra que muestra que la unidad fue comprada a un Distribuidor Autorizado para poder verificar si el producto está cubierto por la garantía. Los productos comprados de segunda mano no están cubiertos por la garantía. Esta garantía solo aplica al comprador original y no es transferible. Todos los artículos que no están en garantía son objeto de una tarifa de \$50 por inspección.

ACT se reserva el derecho de examinar cualquier parte devuelta por garantía para determinar, a satisfacción de ACT, si el material o la mano de obra de la parte están conforme a esta garantía limitada. La responsabilidad de ACT, de acuerdo con esta garantía, se limita a reparar, reemplazar o reembolsar, a su discreción, cualquier parte que considere cubierta por ACT. No se realizarán reembolsos por gastos de mano de obra, recogida o almacenamiento. Los daños a partes ACT que resultaren del mal uso, uso inapropiado o abuso, anularán esta garantía limitada. No seguir las instrucciones de instalación de ACT y los procedimientos y especificaciones del fabricante del vehículo anulará esta garantía limitada.

ACT no se hace responsable por la calidad de los productos excepto según lo dispuesto en este contrato. ACT no se hace responsable porque los productos sean adecuados para el propósito en particular para el cual usted está adquiriendo el producto, excepto en lo dispuesto por este contrato. ACT no será responsable por daños, lesiones personales o daños a la propiedad resultantes de la instalación inadecuada o el mal uso del producto objeto de esta garantía.

Si tiene inquietudes o preguntas con respecto a la correcta instalación o al uso adecuado de un producto ACT, llame a nuestra línea técnica al (661) 940-7555 o envíe un correo electrónico a [tech@advancedclutch.com](mailto:tech@advancedclutch.com).

